

ASSEMBLY INSTRUCTIONS

INSTRUCTION OF ASSEMBLY

WALL BRACKET WITH ROOF NRG9001

FOR WALLBOX ALPHA / ALPHA XT

PRACHT®

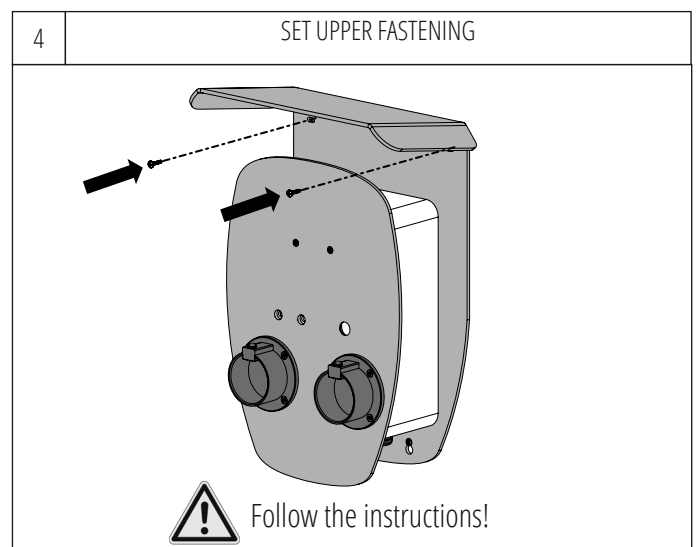
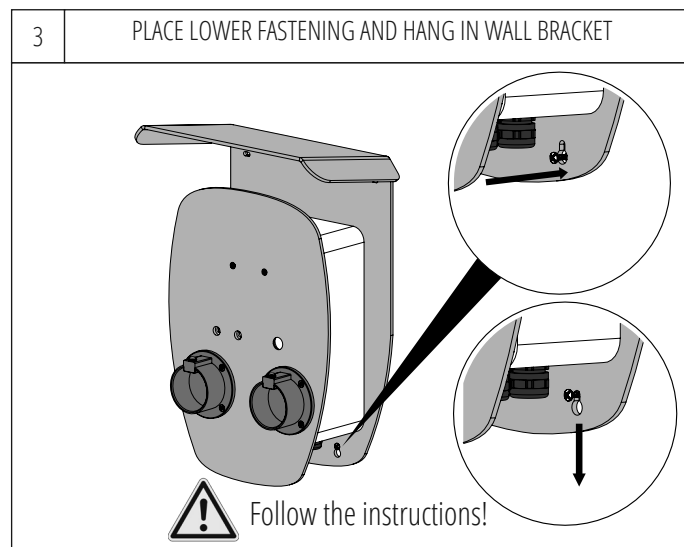
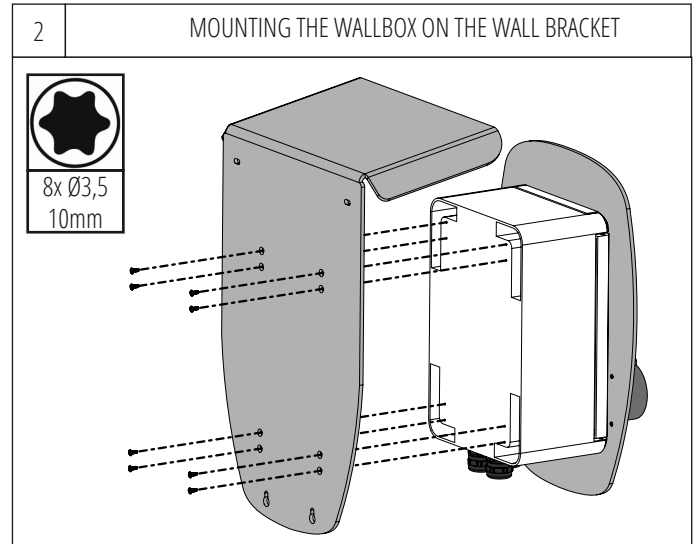
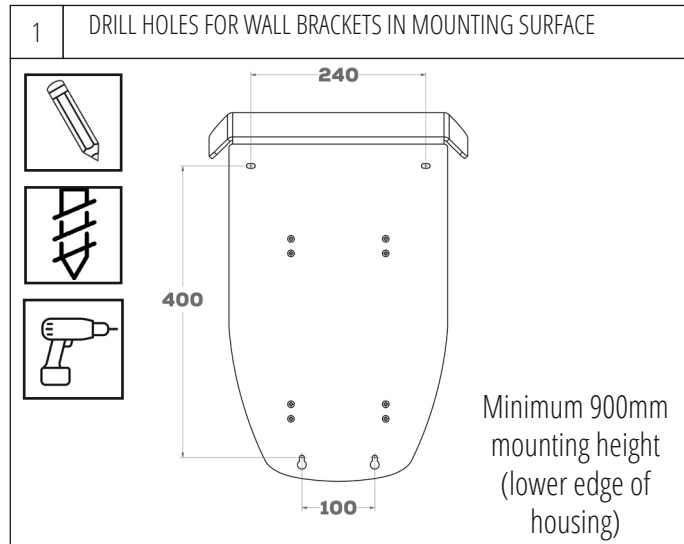
Certified according to DIN ISO 9001

PRACHT Industry GmbH

Am Seerain 3, 35232 Dautphetal-Buchenau, Germany

Tel. +49 6466 9140-0, Fax +49 6466 9140-444

info@prachtenergy.com, www.prachtenergy.com



IMPORTANT NOTES:

The screws for wall mounting are not included in the scope of delivery!

For wall mounting, choose suitable screws with a diameter $\varnothing \leq 6.5\text{mm}$, depending on the type of mounting. (recommended $\varnothing 6\text{mm}$)

Ensure an upright installation position, e.g. using a spirit level.



The electrical connection may only be carried out by a qualified electrician. See installation instructions for Wallbox ALPHA.