

ASSEMBLY INSTRUCTIONS

PRACHT®

Certified according to DIN ISO 9001

STAND WITH ROOF NRG9000

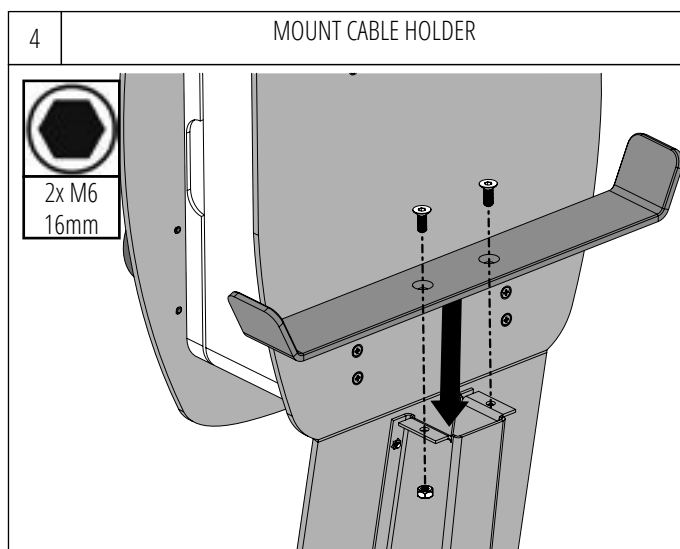
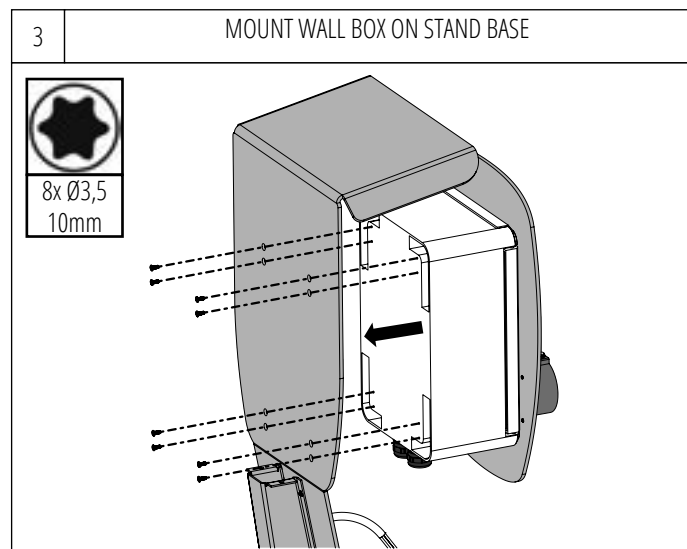
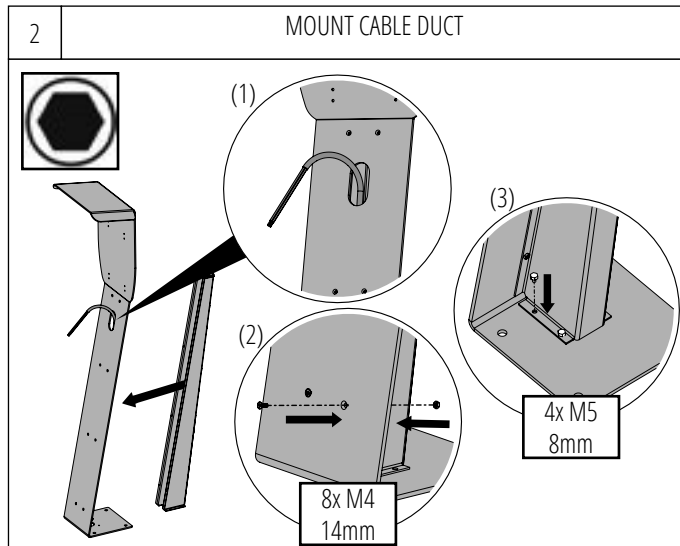
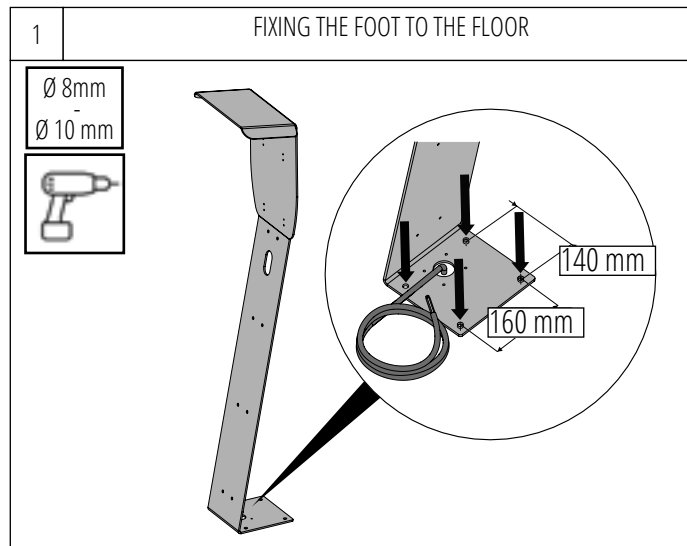
FOR WALLBOX ALPHA / ALPHAXT

PRACHT Industry GmbH

Am Seerain 3, 35232 Dautphetal-Buchenau, Germany

Tel. +49 6466 9140-0, Fax +49 6466 9140-444

info@prachtenergy.com, www.prachtenergy.com



IMPORTANT NOTES:

The screws for the floor fastening are not included in the scope of delivery!

In the case of a self-made concrete foundation, the calculation, design and manufacture are the sole responsibility of the operator or the company carrying out the installation on behalf of the operator.

For mechanical protection, a suitable collision protection should be provided on site to protect a vehicle from a possible collision with the charging pole.

Ensure an upright installation position, e.g. using a spirit level.



The electrical connection may only be carried out by a qualified electrician. See installation instructions for Wallbox ALPHA.